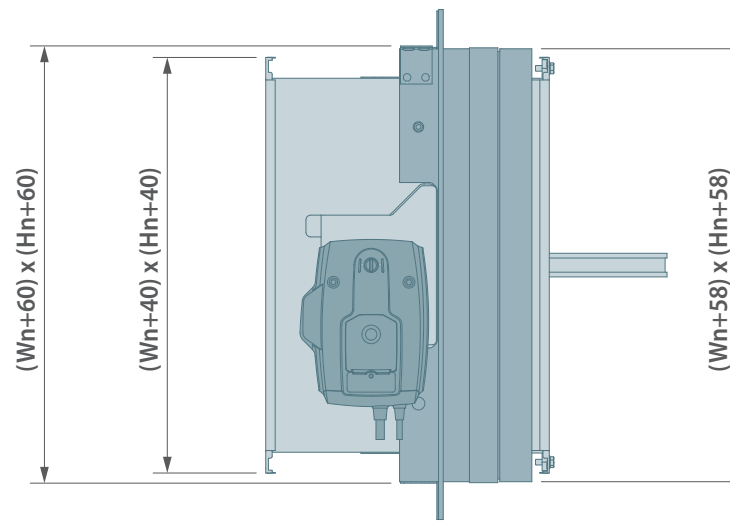
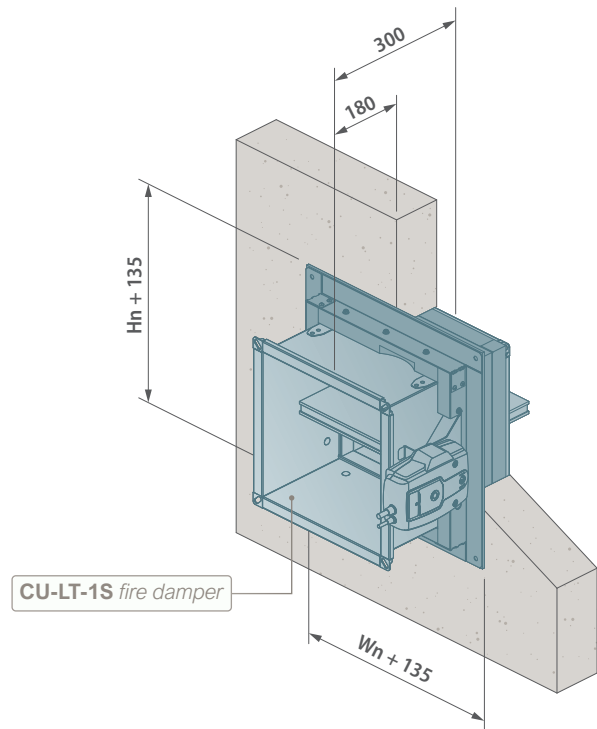
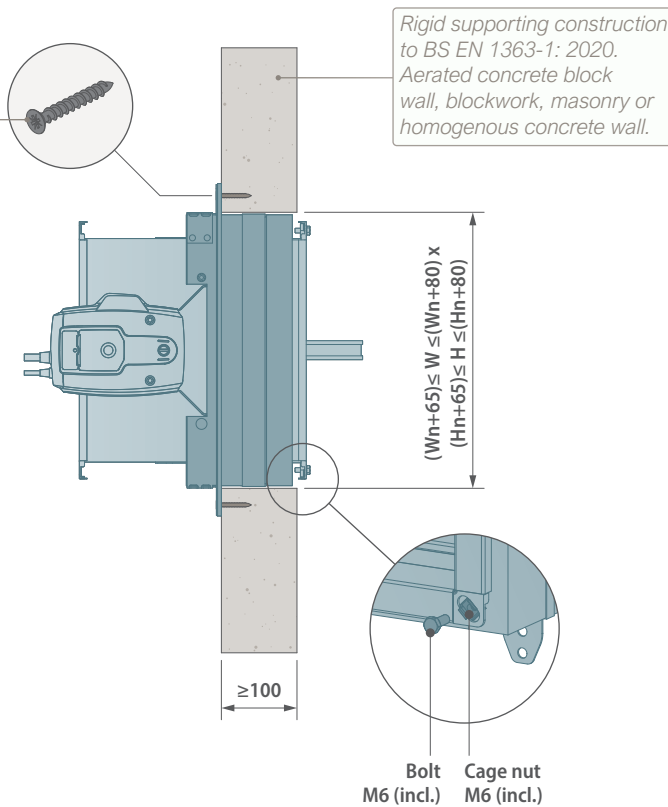


CU-LT-1S FIRE DAMPER



Universal screw $\varnothing 6 \times 50\text{mm}$ to be fitted into the provided screw openings in the flange (max. 7pc. for the largest damper size).



TECHNICAL FEATURES

- Damper range (WxH): 200x100 till 800x600.
- Damper can be installed with blade in vertical or horizontal position.



- Damper can be installed with mechanism on either side of the wall (independent of fire side).
- To be read in conjunction with the CU-LT-1S Fire Damper Technical Datasheet.
- Guidelines acc. to DW144/145 (not required for CE):
 - Provide appropriate break-away / flexible joint between fire damper and connecting ductwork on both sides of the assembly (DW145: eg socket & spigot or flanged with appropriate fixings eg plastic cleats, clips, clamps, bolts, aluminium alloy rivets etc.).
 - Provide a panel in the adjacent ductwork to allow access to the internal components of the fire damper. Rf-T can provide an inspection opening on the damper body upon request (option UL).
 - Ductwork must be independently supported and installed (DW144).
- Dimensions in mm unless otherwise stated.

TECHNICAL DATASHEET



INSPECTION AND HANDOVER CHECK LIST



PLAN TITLE

CU-LT-1S fire damper in rigid supporting construction.

CLASSIFICATION

EI 120 (ve i↔o)S



REV

A

DATE

08/01/2025



Rf-Technologies